

Figure 15. Package Drawing
6-lead 1.5 × 1.5 mm DFN

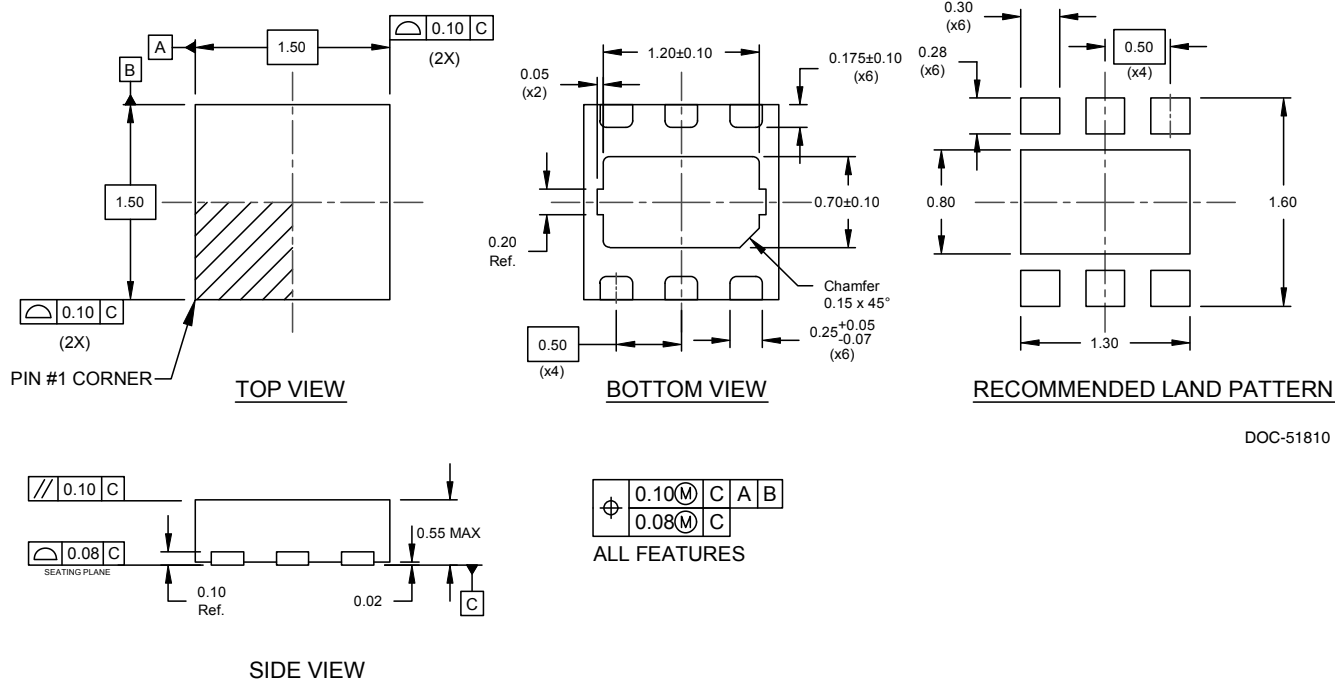


Figure 16. Top Marking Specification



DOC-51207

- = Pin 1 designator
- P = Part number code*
- ZZ = Last two characters of the assembly lot code
- Y = Last digit of year, starting from 2010
- WW = Work week

Note: * The part number marking for PE42424 is E.

