

PE188200

Document Category: Product Brief



8-channel Beamforming Front End, 26.5–29.5 GHz

Features

- Covering the n257 band
- Integrated power amplifiers and low-noise amplifiers
- Supports four dual-polarity antennas
- 50Ω impedance at RF ports
- 6-bit phase and 6-bit attenuation control
- High linear P_{OUT} supporting CP-OFDM 64 QAM
- Fast beam switching
- On-chip memory for 512 beams
- Independent control via SPI of all paths

Applications

- 5G base stations
- 5G customer premises equipment (CPE)
- Point-to-point radio

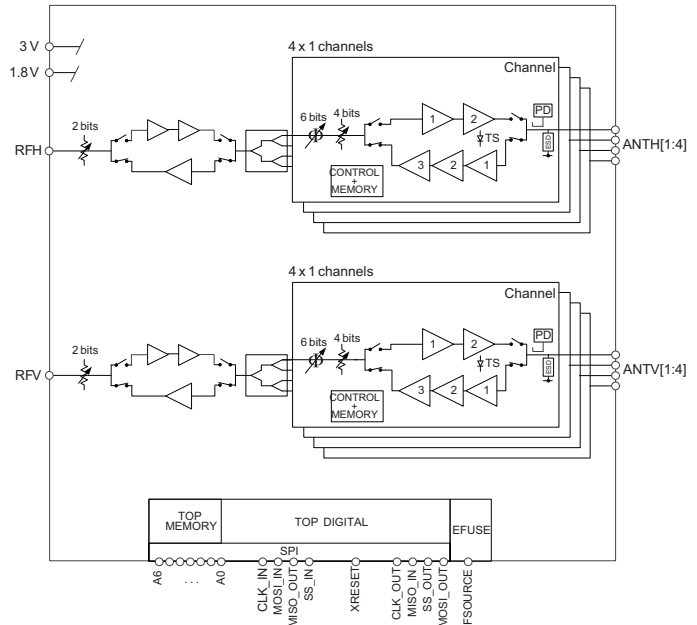
Product Description

The PE188200 is an 8-channel beamforming front-end for 5G applications. It is organized as two independently controllable RF chains of four channels supporting four dual-polarity antennas or eight single-polarity antennas. Time division duplex (TDD) mode operation switches power amplifier/low noise amplifier (PA/LNA) branches connected to each antenna port. Integrated splitter/combiners and a phase and amplitude beamformer for each channel complete each chain.

All control is performed via a 4-wire serial peripheral interface (SPI) bus. On-chip memory holds 512 sets of 8-channel beamforming coefficients. These sets may be allocated in any way between RX and Tx. To enable rapid beam steering, each stored value can be selected by a short two-byte Beam Preset command, or individual beamformer coefficients may be written separately by ordinary write register commands. Similarly, on-chip storage is provided for up to 32 state modes, providing control of all amplifiers and switches for each channel. This allows flexible definition of modes such as RX, TX, idle and sleep. The desired state mode is selected by a one-byte Mode Preset command. Mode lookup tables are read from and written to via the SPI bus like ordinary registers.

The SPI bus supports pass-through operation to control several chips on the same bus for ease of multi-chip control in large antenna arrays.

Figure 1 ■ PE188200 Functional Diagram



Ordering Information

Table 1 lists the available ordering codes for the PE188200 as well as available shipping methods.

Table 1 ■ Order Codes for PE188200

Order Codes	Description	Packaging	Shipping Method
PE188200A-Z	PE188200 8-channel beamforming front end	Die on tape and reel	3000 die / T&R
EK188200-01	PE188200 Evaluation kit	Evaluation kit	1 / box

Document Categories

Advance Information

The product is in a formative or design stage. The datasheet contains design target specifications for product development. Specifications and features may change in any manner without notice.

Preliminary Specification

The datasheet contains preliminary data. Additional data may be added at a later date. pSemi reserves the right to change specifications at any time without notice in order to supply the best possible product.

Product Specification

The datasheet contains final data. In the event pSemi decides to change the specifications, pSemi will notify customers of the intended changes by issuing a CNF (Customer Notification Form).

Product Brief

The product brief contains summary product information.

Sales Contact

For additional information, contact Sales at sales@psemi.com.

Disclaimers

The information in this document is believed to be reliable. However, pSemi assumes no liability for the use of this information. Use shall be entirely at the user's own risk. No patent rights or licenses to any circuits described in this document are implied or granted to any third party. pSemi's products are not designed or intended for use in devices or systems intended for surgical implant, or in other applications intended to support or sustain life, or in any application in which the failure of the pSemi product could create a situation in which personal injury or death might occur. pSemi assumes no liability for damages, including consequential or incidental damages, arising out of the use of its products in such applications.

Patent Statement

pSemi products are protected under one or more of the following U.S. patents: patents.psemi.com

Copyright and Trademark

©2022, pSemi Corporation. All rights reserved. The Peregrine Semiconductor name, Peregrine Semiconductor logo and UltraCMOS are registered trademarks and the pSemi name, pSemi logo, HaRP and DuNE are trademarks of pSemi Corporation in the U.S. and other countries.