

4. CAPACITANCE VALUES ARE IN MICROFARDS  
 3. RESISTANCE VALUES ARE IN OHMS

2. CONTAINS PARTS AND ASSEMBLIES SUSCEPTIBLE TO DAMAGE BY ELECTROSTATIC DISCHARGE (ESD)

1. USE PRT-69377-02

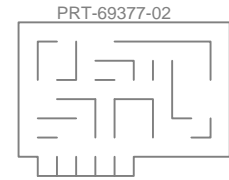
NOTES: UNLESS OTHERWISE SPECIFIED

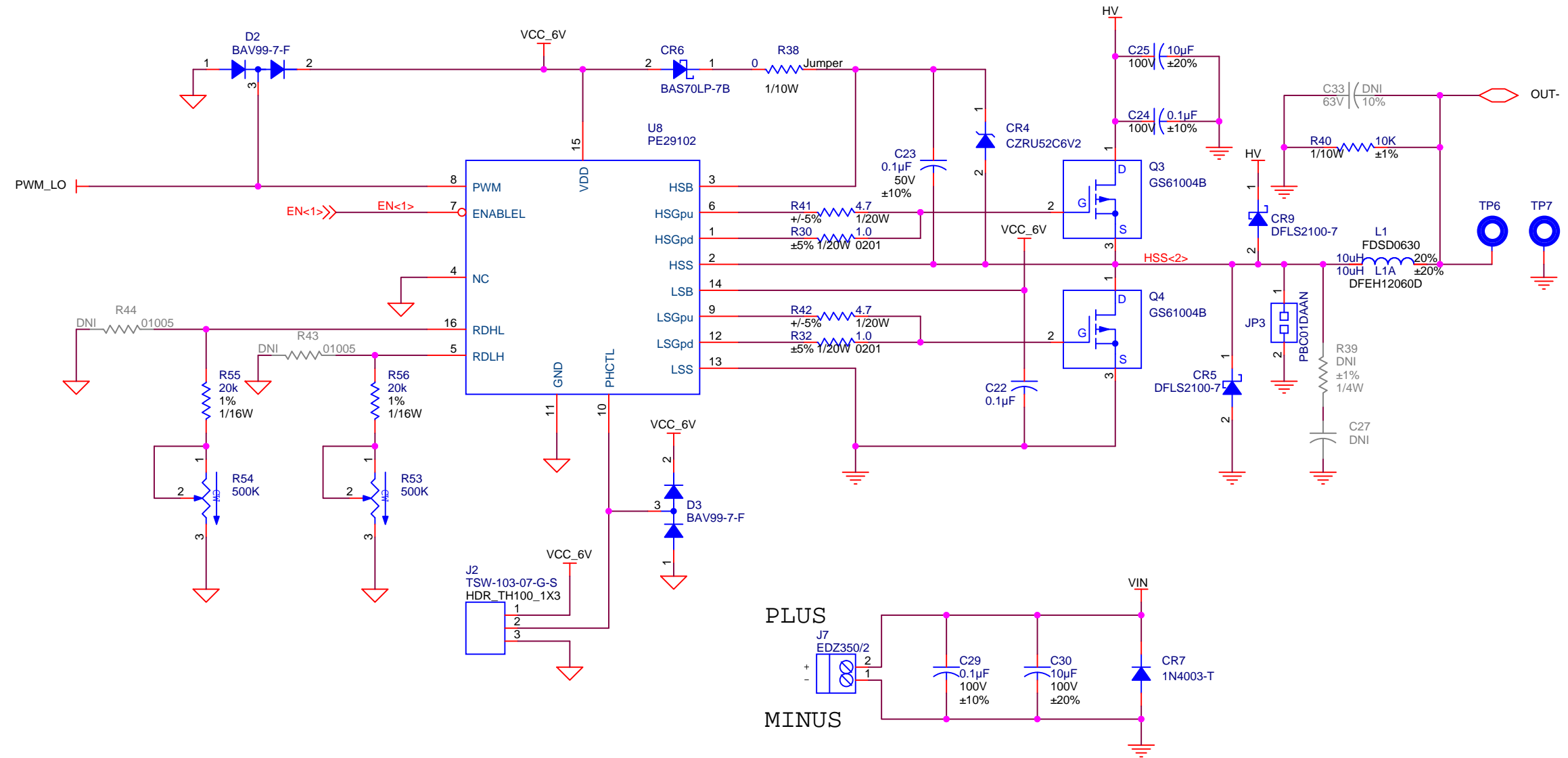
UNLESS OTHERWISE SPECIFIED:  
 DIMENSIONS IN mm/[inches]  
 TOLERANCES ARE:  
 X.X = ±2.5/[0.1]  
 X.XX = ±.25/[0.1]  
 X.XXX = ±.127/[0.005]  
 X.XXXX = ±.0127/[0.0005]



**CLASS D AUDIO AMP EVK**

DO NOT SCALE DRAWING		SIZE: <b>B</b>	CAGE CODE:	DWG NO.: <b>DOC-83239</b>	REV: <b>03</b>
DRAWN: <b>D. Kendrick</b>	DATE: <b>09/26/17</b>	SCALE: <b>NONE</b>	DATE: <b>09/26/17</b>	Sheet 1 of 2	
ENGINEER: <b>G. Horvath</b>	DATE: <b>09/26/17</b>				





DRAWN	D. Kenrick	DATE	09/26/17	SIZE	B	DWG NO.	DOC-83239	REV	03
ENGINEER	G. Horvath	DATE	09/26/17	SCALE	NONE	DATE	09/26/17	Sheet 2 of 2	

Capture CIS Standard Bill Of Materials - Compressed Report

Report Created on Tuesday Sep 26 16:04:37 2017

Title = CLASS D AUDIO AMP EVK

Doc = DOC-83239

Rev = 03

Item Number	Quantity	Part Reference	Description	PART_NUMBER	Value	Manufacturer	Manufacturer PN	Notes
1	7	C9-C12 C17 C22 C23	CAP, SMD, CER, 0.1µF, 50V, ±10%, X7R, 0603 (1608 Metric)	301-0222-00	0.1µF	Murata Electronics North America	GRM188R71H104KA93D	
2	3	C13 C24 C29	CAP, SMD, CER, 0.1µF, 100V, ±10%, X5R, 0402 (1005 Metric)	301-0583-00	0.1µF	Murata Electronics North America	GRM155R62A104KE14D	
3	2	C14 C25	CAP, SMD, CER, 10µF, 100V, ±20%, X7R, 2421 (6153 Metric)	301-0529-00	10µF	Murata	KRM55TR72A106MH01K	
4	2	C15 C26	CAP, , ALU, 100uF, 100V, 20%, -, Radial, Can	301-0636-00	100uF	Panasonic Electronic Components	EEU-FC2A101	
5	1	C16	CAP, SMD, CER, 0.33uF, 25V, ±10%, X7R, 0805 (2012 Metric)	301-0625-00	0.33uF	Murata Electronics North America	GRM21BR71E334KA01L	
6	0	C19 C27	DNI	DNI	DNI	DNI	DNI	
7	1	C20	CAP, , , 0.22µF, 160V, ±5%, +/-100 ppm/C, 18mm X 5mm X 11mm	301-0738-00	0.22µF	Kemet	R75GI3220AA00J	
8	1	C21	CAP, SMD, CER, 0.47µF, 25V, ±10%, X7R, 0603 (1608 Metric)	301-0069-00	0.47µF	Murata Electronics	GRM188R71E474KA12D	
9	1	C30	CAP, SMD, CER, 10µF, 100V, ±20%, X7R, 2421 (6153 Metric)	301-0521-00	10µF	Murata	KRM55TR72A106MH01	
10	0	C32 C33	DNI	DNI	DNI	DNI	DNI	
11	1	C34	CAP, SMD, CER, 0.047µF, 100V, 10%, X7R, 1206 (3216 Metric)	301-0690-00	0.047µF	Murata Electronics North America	GRM31MR72A474KA35L	
12	2	CR1 CR6	DIO, Diodes - Rectifiers, BAS70LP-7B, 70mA (DC), 960mV @ 15mA, 430 mA, 2-UDFN	303-0002-00	BAS70LP-7B	Diodes Incorporated	BAS70LP-7B	
13	2	CR2 CR4	DIO, Discrete Semiconductor Products, CZRU52C6V2, 100nA @ 2V, 900mV @ 10mA, 150mW, 1.80mm X 1.00mm X .85mm	303-0106-00	CZRU52C6V2	Comchip Technology	CZRU52C6V2	
14	4	CR3 CR5 CR9 CR10	DIO, Schottky, DFLS2100-7, 2A, 860mV @ 2A, --, 2.80mm X 1.78mm	303-0114-00	DFLS2100-7	Diodes Incorporated	DFLS2100-7	
15	1	CR7	DIO, Standard, 1N4003-T, 1A, 1V @ 1A, 200V, 5.21mm X 2.72mm	303-0107-00	1N4003-T	Diodes Incorporated	1N4003-T	
16	1	CR8	DIO, Diodes - Zener - Single, BZX84C4V7LT3G, --, 4.7V, 225mW, TO-236-3, SC-59, SOT-23-3	303-0011-00	BZX84C4V7LT3G	ON Semiconductor	BZX84C4V7LT3G	
17	4	D1-D4	DIO, Diodes - Rectifiers, BAV99-7-F, 300mA (DC), 1.25V @ 150mA, --, SOT-23-3	303-0109-00	BAV99-7-F	Diodes Incorporated	BAV99-7-F	
18	1	DS1	DIO, LED\Red, SML-311UTT86, 2mA, 1.8V, 100 mW, 0603 (1608 Metric)	314-0004-00	SML-311UTT86	Rohm Semiconductor	SML-311UTT86	
19	2	J1 J2	CONN, Rectangular Connectors - Headers, Male Pins, Header Unshrouded Breakaway, TH, Male, TSW	304-0042-00	TSW-103-07-G-S	Samtec Inc.	TSW-103-07-G-S	
20	3	J3 JP2 JP3	CONN, Rectangular Connectors - Headers, Male Pins, Header, Breakaway, TH, Male, 2.54mm, 2 PIN	304-0032-00	PBC01DAAN	Sullins Connector Solutions	PBC01DAAN	
21	1	J7	CONN, Terminal Blocks - Wire to Board, Terminal Block, TH, Female, EDZ350/2, 2POS	304-0098-00	EDZ350/2	On Shore Technology Inc.	EDZ350/2	
22	1	J8	CONN, Terminal Blocks - Wire to Board, Terminal Block, TH, Female, ED120/DS, 2 POS	304-0038-00	ED120/2DS	On Shore Technology Inc.	ED120/2DS	Supports AWG 22-14
23	1	J100	CONN, Coaxial Connectors (RF), BNC, TH, Jack, Female Socket, -	304-0099-00	112538	Amphenol RF Division	112538	
24	1	J101	CONN, Coaxial Connectors (RF), SMA, TH, Jack, Female Socket, --	304-0101-00	142-0701-236	Cinch Connectivity Solutions Johnson	142-0701-236	
25	1	J200	CONN, Rectangular Connectors - Headers, Male Pins, Header, Male Pins, TH, Male, MX150™ 75757	304-0076-00	0901200124	Molex, LLC	0757570441	
26	2	L1 L2	IND, SMD, Fixed Inductors, FDS0630, 10uH, 3.2A, 74 mOhm Max, 0.276" L x 0.260" W (7.00mm x 6.60mm)	309-0490-00	10uH	Murata Electronics North America	FDS0630-H-100M=P3	
27	1	L1A	IND, SMD, Power Inductors, DFEH12060D, 10uH, 7.9A, 20 mOhm Max, 0.512" L x 0.496" W (13.00mm x 12.60mm)	309-0493-00	10uH	Murata Electronics North America	DFEH12060D-100M=P3	
28	0	L2A	DNI	DNI	DNI	DNI	DNI	
29	1	P1	CONN, Rectangular Connectors - Headers, Male Pins, Header, TH, Male, KK® 7395	304-0073-00	0022053031	Molex, LLC	0022053031	
30	0	PCB1	DNI		DNI	DNI		
31	4	Q1-Q4	XSTR, General Purpose, N-Channel, GS61004B, --, --, SMD	306-0002-00	GS61004B	GaN Systems	GS61004B-TR	
32	1	Q7	XSTR, Transistors - Bipolar (BJT) - Single, Pre-Biased, PNP, ZXTP2027FTA, 60V, 4A, SMD	306-0007-00	ZXTP2027FTA	Diodes Incorporated	ZXTP2027FTA	
33	3	R3 R28 R40	RES, SMD, Thick Film, 10K, ±1%, 0.1W, 1/10W, 0603 (1608 metric)	302-0024-00	10K	Panasonic	ERJ-3EKF1002V	
34	4	R8 R10 R41 R42	RES, SMD, Thick Film, 4.7, 5%, 0.05W, 1/20W, 0201 (0603 Metric)	302-0348-00	4.7	Panasonic Electronic Components	ERJ-1GEJ4R7C	
35	2	R21 R38	RES, SMD, Thick Film, 0, Jumper, 0.1W, 1/10W, 0603 (1608 Metric)	302-0039-00	0	Panasonic Electronic Components	ERJ-3GEY0R00V	
36	0	R22 R23 R43 R44	DNI	DNI	DNI			
37	4	R25 R26 R30 R32	RES, SMD, Thick Film, 1.0, ±5%, 0.05W, 1/20W, 0201 (0603 metric)	302-0403-00	1.0	Panasonic Electronic Components	ERJ-1GEJ1R0C	
38	0	R27 R39	DNI	DNI	DNI	DNI	DNI	
39	1	R29	RES, SMD, Thin Film, 10, ±1%, 2.5W, 2512 (6432 Metric)	302-0146-00	10	Vishay Thin Film	PHP02512E10ROBST5	
40	4	R49 R50 R55 R56	RES, SMD, Thick Film, 20k, 1%, 0.063W, 1/16W, 0402 (1005 Metric)	302-0350-00	20k	Vishay Dale	CRCW040220K0FKED	
41	4	R51-R54	RES, Through Hole, Potentiometers, 500K, ±10%, 1/2W, 3296W	302-0153-00	500K	Bourns Inc.	3296W-1-504LF	
42	1	R58	RES, SMD, Thick Film, 10k, 5%, 1W, 2512 (6432 Metric)	302-0389-00	10k	Panasonic Electronic Components	ERJ-1TYJ103U	
43	1	R59	RES, SMD, Thick Film, 1.8K, ±5%, 0.1W, 1/10W, 0603 (1608 metric)	302-0404-00	1.8K	Yageo	RC0603JR-071K8L	
44	1	R60	RES, SMD, Thick Film, 2.7K, ±5%, 0.125W, 1/8W, 0805 (2012 metric)	302-0213-00	2.7K	Panasonic Electronic Components	ERJ-6GEYJ272V	
45	1	R61	RES, SMD, Wirewound, 0.22 Ohm, 5%, 5W, 5329 (13573 Metric), J-Lead	302-0385-00	0.22	TE Connectivity Passive Product	SMW5R22JT	
46	1	R68	RES, SMD, Cermet, 10K, +/-25%, 50VDC MAX, 3.0mm x 3.8mm	302-0405-00	10K	Bourns Inc.	TC33X-2-103E	
47	0	R69 R70	DNI	DNI	DNI			
48	1	R71	RES, SMD, Thick Film, 22, 5%, 0.125W, 1/8W, 0805 (2012 Metric)	302-0391-00	22	Yageo	RC0805JR-0722RL	
49	1	R72	RES, SMD, Thick Film, 3.3K, ±5%, 0.1W, 1/10W, 0603 (1608 metric)	302-0293-00	3.3K	Panasonic Electronic Components	ERJ-3GEYJ332V	
50	7	TP1-TP7	CONN, Test Points, PC Test Point, Miniature, Surface Mount, SMD, Male, 5015	320-0001-00	5015	Keystone Electronics	5015	
51	1	U5	IC, SMD, XOR (Exclusive OR), Integrated Circuits (ICs), <none>, 14-TSSOP (0.173", 4.40mm Width)	202-0047-00	MM74HC86MTCX	Fairchild/ON Semiconductor	MM74HC86MTCX	
52	2	U6 U8	IC, SMD, Driver, FET Driver, <none>, 1.640mm x 2.040mm	201-0117-00	PE29102	Peregrine Semiconductor	PE29102	
53	1	U7	IC, SMD, Linear-LDO, Integrated Circuits (ICs), <none>, TO-252-3, DPak (2 Leads + Tab), SC-63	202-0048-00	UA78M06CKVURG3	Texas Instruments	UA78M06CKVURG3	
54	1	U9	IC, SMD, AND Gate, Logic, <none>, SOT-95	202-0055-00	NC7S08P5X	Fairchild/ON Semiconductor	NC7S08P5X	