

6

5

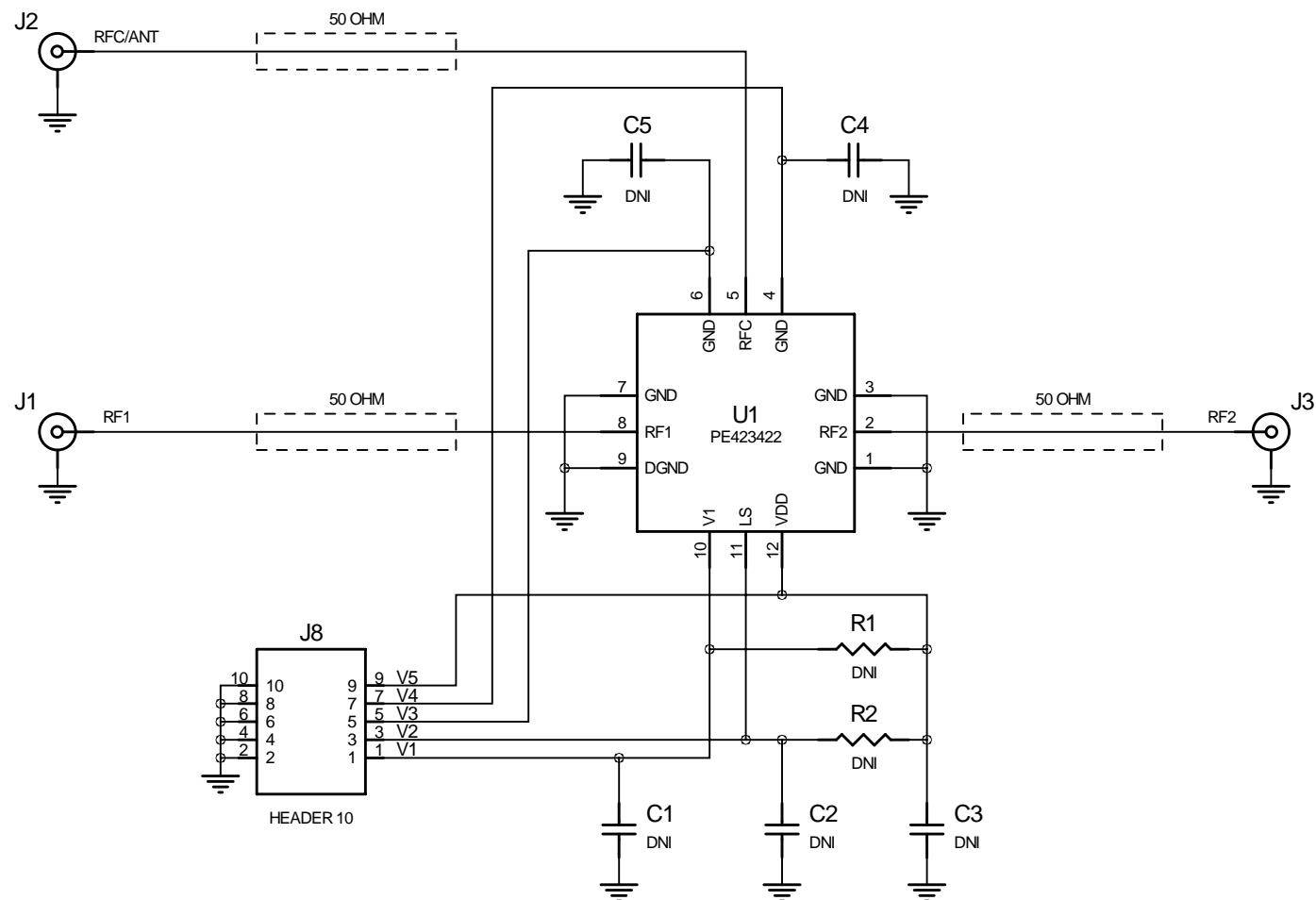
4

3

2

1

REVISION RECORD			
LTR	ECO NO:	APPROVED:	DATE:



V1	V1
V2	V2
V3	MUX2
V4	MUX1
V5	VDD

NOTES:
 1. CAUTION:
 CONTAINS PARTS AND ASSEMBLIES SUSCEPTIBLE
 TO DAMAGE BY ELECTROSTATIC DISCHARGE (ESD)

DRAWN:	R. PROAL	DATED:	11-18-13
CHECKED:	E. SHAPIRO	DATED:	11-18-13
QUALITY CONTROL:		DATED:	
RELEASED:		DATED:	

COMPANY: PEREGRINE SEMICONDUCTOR			
TITLE: SCHEMATIC, PE423422 EVALUATION BOARD			
CODE:	SIZE:	DRAWING NO:	REV:
5BMR7	B	DOC-30527	01
SCALE:			SHEET: 1 OF 1

Item	Qty	Reference	Description	Value	Manufacturer	Manufacturer Part Number	Distributor	Distributor Part Number	Notes
1	5	C1-5	CAP 0603 DNI	DNI					DNI
2	1	J8	CONN HEADER .100 DUAL STR 72POS		Sullins Connector Solutions	PZC36DABN	Digi-Key	S2021-36-ND	Cut to 14 Pin Header .100
3	1	U1	IC, PE423422	PE423422	Peregrine Semiconductor	PE423422			
4	2	R1-2	RES 0603 DNI	DNI					DNI
5	5	J1-5	CONN SMA JACK 50 OHM EDGE MNT		Emerson Johnson	142-0701-801	Digi-Key	J502-ND	
6	1		PCB, 2X2 12 LEAD SPDT EVK		Peregrine Semiconductor	101-0593-03			