

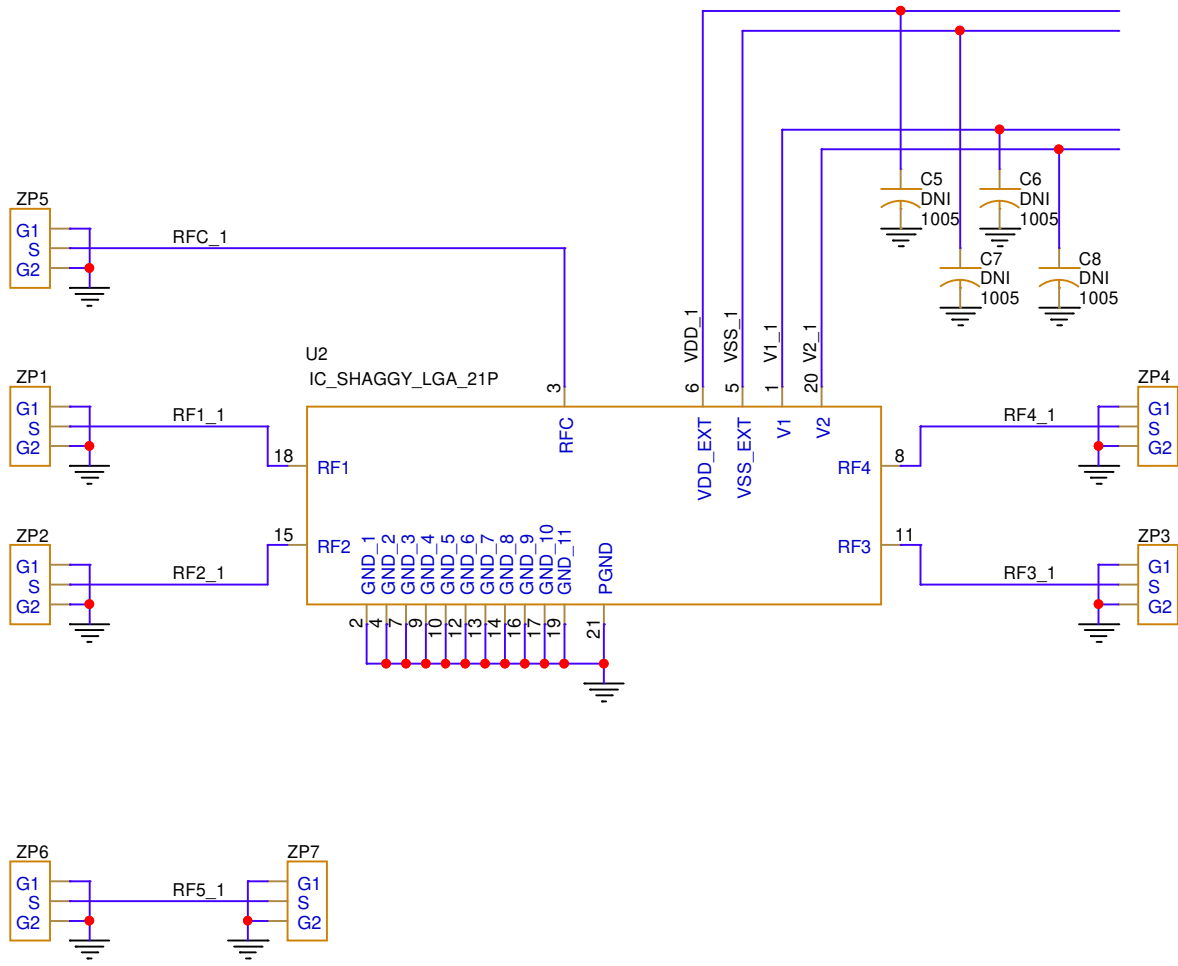
UNLESS OTHERWISE SPECIFIED:
 DIMENSIONS IN mm/[Inches]
 TOLERANCES ARE:
 XX = ±2.5/[.1]
 XXX = ±.25/[0.1]
 XXXX = ±.127/[0.005]
 XXXXX = ±.0127/[0.0005]

Semi
 A Murata Company

9380 Carroll Park Drive
 San Diego, CA, 92121

PE42546, SHAGGY SP4T EVK

DO NOT SCALE DRAWING		SIZE	CAGE CODE	DWG NO.	REV
DRAWN	R. MARROQUIN	DATE	10/09/20	A	DOC-105634 02
ENGINEER	R. ALIDIO	DATE	10/09/20	SCALE: NONE	DATE: Friday, July 07, 2023
					Sheet 1 of 3



DRAWN	DATE	SIZE	CAGE CODE	DWG. NO.	REV
		A		DOC-105634	02
ENGINEER	DATE	SCALE:	DATE	Sheet 2 of 3	
		NONE	Friday, July 07, 2023		

Capture CIS Standard Bill Of Materials - Compressed Report
Report Created on Friday July 07 02:16:48 2023
Title = PE42546, SHAGGY SP4T LGA EVK

Item Number	Quantity	Part Reference	Description	PART_NUMBER	Value	Manufacturer	Manufacturer PN
1	8	C1-C8	CAP, SMD, CER, DNI, n/a, n/a, n/a, 0402 (1005 Metric)	CAP-DNI-1005	DNI		
2	1	J1	CONN, Coaxial Connectors (RF), SMA, SMD, Jack, Female Socket, 67GHz		CN_1892-03A-6	Southwest Microwave	1892-03A-6
3	1	J2	CONN, Coaxial Connectors (RF), SMA, SMD, Jack, Female Socket, 67GHz		CN_1892-03A-6	Southwest Microwave	1892-03A-6
4	1	J3	CONN, Coaxial Connectors (RF), SMA, SMD, Jack, Female Socket, 67GHz		CN_1892-03A-6	Southwest Microwave	1892-03A-6
5	1	J4	CONN, Coaxial Connectors (RF), SMA, SMD, Jack, Female Socket, 67GHz		CN_1892-03A-6	Southwest Microwave	1892-03A-6
6	1	J5	CONN, Coaxial Connectors (RF), SMA, SMD, Jack, Female Socket, 67GHz		CN_1892-03A-6	Southwest Microwave	1892-03A-6
7	1	J6	CONN, Coaxial Connectors (RF), SMA, SMD, Jack, Female Socket, 67GHz		CN_1892-03A-6	Southwest Microwave	1892-03A-6
8	1	J7	CONN, Coaxial Connectors (RF), SMA, SMD, Jack, Female Socket, 67GHz		CN_1892-03A-6	Southwest Microwave	1892-03A-6
9	2	P1 P2	CONN, Rectangular Connectors - Headers, Male Pins, Header Unshrouded Breakaway, TH, Male, 2.54mmX2.54mm, 4 POS	304-0119-00	PBC02DAAN	Sullins Connector Solutions	PBC02DAAN
10	1	U1			IC_SHAGGY_LGA_21P		
11	1	U2			IC_SHAGGY_LGA_21P		
12	7	ZP1-ZP7	CONN, Rectangular Connectors - Headers, Male Pins, Probe or Solder Pad, SMD, Male, GSG 0.150mm, 3 PIN	PR-GSG-PROBE150	GSG-Probe150-90p		