

6

5

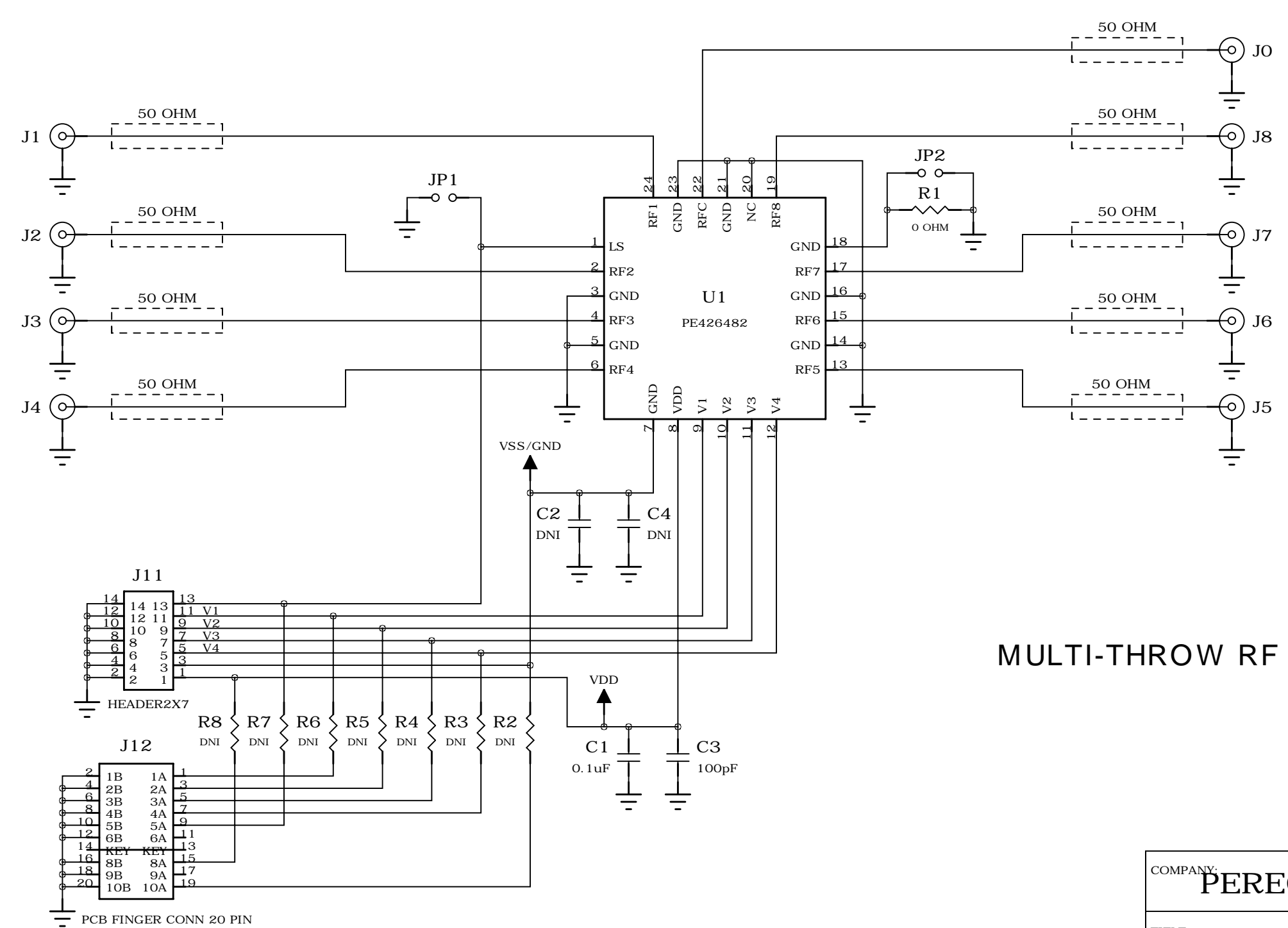
4

3

2

1

REVISION RECORD			
LTR	ECO NO:	APPROVED:	DATE:



### MULTI-THROW RF SWITCH

COMPANY: <b>PEREGRINE SEMICONDUCTOR</b>			
TITLE: <b>SCHEMATIC, PE426482 EVK</b>			
CODE: <b>5BMR7</b>	SIZE: <b>B</b>	DRAWING NO: <b>DOC-77455</b>	REV: <b>03</b>
SCALE:			SHEET: 1 OF 1

**NOTES:**  
 1: Contains Parts and Assemblies susceptible to damage by electrostatic discharge (ESD)

DRAWN: <b>R.PROAL</b>	DATED: <b>06-10-16</b>
CHECKED: <b>P. SHANJANI</b>	DATED: <b>06-10-16</b>
QUALITY CONTROL:	DATED:
RELEASED:	DATED:

Item	Qty	Reference	Description	Value	Manufacturer	Manufacturer Part Number	Distributor	Distributor Part Number	Notes
1	11	J0-10	CONN SMA JACK 50 OHM EDGE MNT		Cinch Johnson	142-0761-881	Digi-Key	J801-ND	.010 Pin Diameter (for use with .008 - .014 dielectrics)
2	1	J12	PCB FINGER CONNECTOR 20 PIN	PCB FINGER CONN 20 PIN					
3	1	C3	CAP CER 100PF 50V NP0 0402	100pF	muRata	GRM1555C1H101JA01D	Digi-Key	490-5922-1-ND	
4	1	C4	CAP CER 100PF 50V NP0 0402	DNI	muRata	GRM1555C1H101JA01D	Digi-Key	490-5922-1-ND	DNI
5	1	C1	CAP CER 0.1UF 50V X7R 0402	0.1uF	muRata	GRM155R71H104KE14D	Digi-Key	490-10700-1-ND	
6	1	C2	CAP CER 0.1UF 50V X7R 0402	DNI	muRata	GRM155R71H104KE14D	Digi-Key	490-10700-1-ND	DNI
7	1	J11	CONN HEADER .100 DUAL STR 72POS		Sullins Connector Solutions	PZC36DABN	Digi-Key	S2021-36-ND	CUT TO FIT 2X7
8	2	JP1-2	2 POS HDR 0.100" (2.54mm)		Sullins Connector Solutions	PZC02SAAN	Digi-Key	S1011-02-ND	
9	1	U1	IC PE426482	PE426482	Peregrine Semiconductor	PE426482			
10	1	R1	RES SMD 0.0OHM JUMPER 1/16W 0402	0 OHM	Vishay Dale	CRCW04020000Z0ED	Digi-Key	541-0.0JCT-ND	
11	7	R2-8	RES SMD 0.0OHM JUMPER 1/16W 0402	DNI	Vishay Dale	CRCW04020000Z0ED	Digi-Key	541-0.0JCT-ND	DNI
12	1		PCB, SP8T		Peregrine Semiconductor	PRT-66240-03			