

PE423211

Document Category: Product Brief

UltraCMOS[®] SPDT RF Switch, 300 MHz–10.6 GHz

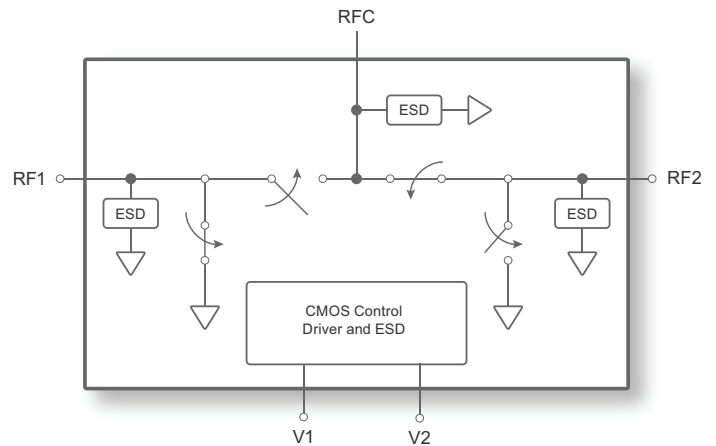
Features

- AEC-Q100 Grade 2-qualified
- Broadband frequency support: 0.3 to 10.6 GHz
- Suitable for ISM band, Bluetooth[®], 802.11 a/b/g/n/ac/ax and ultra-wideband (UWB)
- Low power consumption of 90 nA
 - 0.4 dB @ 6 GHz
 - 0.6 dB @ 8.5 GHz
 - 0.7 dB @ 10.6 GHz
- High isolation
 - 27 dB @ 6 GHz
 - 18 dB @ 8.5 GHz
 - 18 dB @ 10.6 GHz
- P1dB = +24 dBm
- Switching time = 100 ns
- Operating temperature range: -40 to +105 °C
- ESD performance
 - 2000V HBM
 - 500V CDM
- Packaging – 6-lead 1.6 × 1.6 mm DFN

Applications

- 802.11 a/b/g/n/ac/ax and Bluetooth
- Ultra-wideband (UWB)
- Remote keyless entry
- Telematics
- Infotainment
- In-cabin monitoring system (ICMS)
- General-purpose switching

Figure 1 ■ PE423211 Functional Diagram



Product Description

The PE423211 is a HaRP™ technology-enhanced reflective SPDT RF switch designed for use in high-performance ISM, WLAN 802.11 a/b/g/n/ac/ax, Bluetooth and UWB applications supporting bandwidths up to 10.6 GHz.

This switch features low power consumption, low insertion loss, high port-to-port isolation, fast switching speed, and high-power handling, all in a compact 6-lead 1.6 × 1.6 mm DFN package. The PE423211 device also has robust ESD and temperature performance.

The PE423211 is manufactured on pSemi's UltraCMOS[®] process, a patented silicon-on-insulator (SOI) technology.

Ordering Information

Table 1 lists the available ordering codes for the PE423211 as well as available shipping methods.

Table 1 ■ Order Codes for PE423211

| Order Codes | Description | Packaging | Shipping Method |
|-------------|-------------------------|-------------------------------|-----------------|
| PE423211A-Z | PE423211 SPDT RF switch | Green 6-lead 1.6 × 1.6 mm DFN | 3000 units/T&R |
| EK423211-01 | PE423211 Evaluation kit | Evaluation kit | 1/Box |

Document Categories

Advance Information

The product is in a formative or design stage. The datasheet contains design target specifications for product development. Specifications and features may change in any manner without notice.

Preliminary Specification

The datasheet contains preliminary data. Additional data may be added at a later date. pSemi reserves the right to change specifications at any time without notice in order to supply the best possible product.

Product Specification

The datasheet contains final data. In the event pSemi decides to change the specifications, pSemi will notify customers of the intended changes by issuing a CNF (Customer Notification Form).

Product Brief

This document contains a shortened version of the datasheet. For the full datasheet, contact sales@psemi.com.

Sales Contact

For additional information, contact Sales at sales@psemi.com.

Disclaimers

The information in this document is believed to be reliable. However, pSemi assumes no liability for the use of this information. Use shall be entirely at the user's own risk. No patent rights or licenses to any circuits described in this document are implied or granted to any third party. pSemi's products are not designed or intended for use in devices or systems intended for surgical implant, or in other applications intended to support or sustain life, or in any application in which the failure of the pSemi product could create a situation in which personal injury or death might occur. pSemi assumes no liability for damages, including consequential or incidental damages, arising out of the use of its products in such applications.

Patent Statement

pSemi products are protected under one or more of the following U.S. patents: patents.psemi.com

Copyright and Trademark

©2023–2024, pSemi Corporation. All rights reserved. The Peregrine Semiconductor name, Peregrine Semiconductor logo and UltraCMOS are registered trademarks and the pSemi name, pSemi logo, HaRP and DuNE are trademarks of pSemi Corporation in the U.S. and other countries.